



MATRIX

MERCURY HS™

VERTICAL FORM/FILL/SEAL

FL

FLEXIBLES

MERCURY HS™

VERTICAL FORM/FILL/SEAL

The Matrix Mercury inspires Confidence with Reliable Repeatability in a Packaging Machine

The Matrix Mercury HS™ is the most popular Matrix form-fill-seal machine due to its speed, dependability, and low annual operating cost. Its capability to seal laminate or poly film along with a self-centering film drive down system, automatic edge guide film tracking, a short travel film unwind system, and angled incline film upwind, all contribute to precise film movement and trouble-free operation.

This machine is fully compatibility with all types of fillers and its tool-free quick-change core chucks help to ensure fast changeover between jobs.



The Matrix Mercury offers exceptional speed, reliability and performance in an easy to use, automated packaging machine.

FEATURES & BENEFITS

- Stainless steel frame and NEMA 4X electrical enclosure with stainless steel adjustable mounting feet
- Allen Bradley MicroLogix PLC with 7" color touch screen
- Danaher MicroStepping Motors for film pull and jaw motion control (servo optional for jaw)
- "SmartJaw" ST horizontal sealing technology
- Compared to other high-speed machines, the Mercury has a small footprint, conserving valuable floor space
- Film length controlled by encoder feedback servo system
- Automatic film tracking, registered film photo eye and print registration roller
- Roller, and easy film splice

OPTIONS

- Poly jaw system
- Mechanical or heated hole punch
- Tear notch
- Flat bottom bag and gusset/tucker attachment
- Gas flushing system
- Washdown
- Load shelf
- Thermal transfer printer and encoder
- UL electrical system
- Power unwind

BAG STYLES



PILLOW BAG



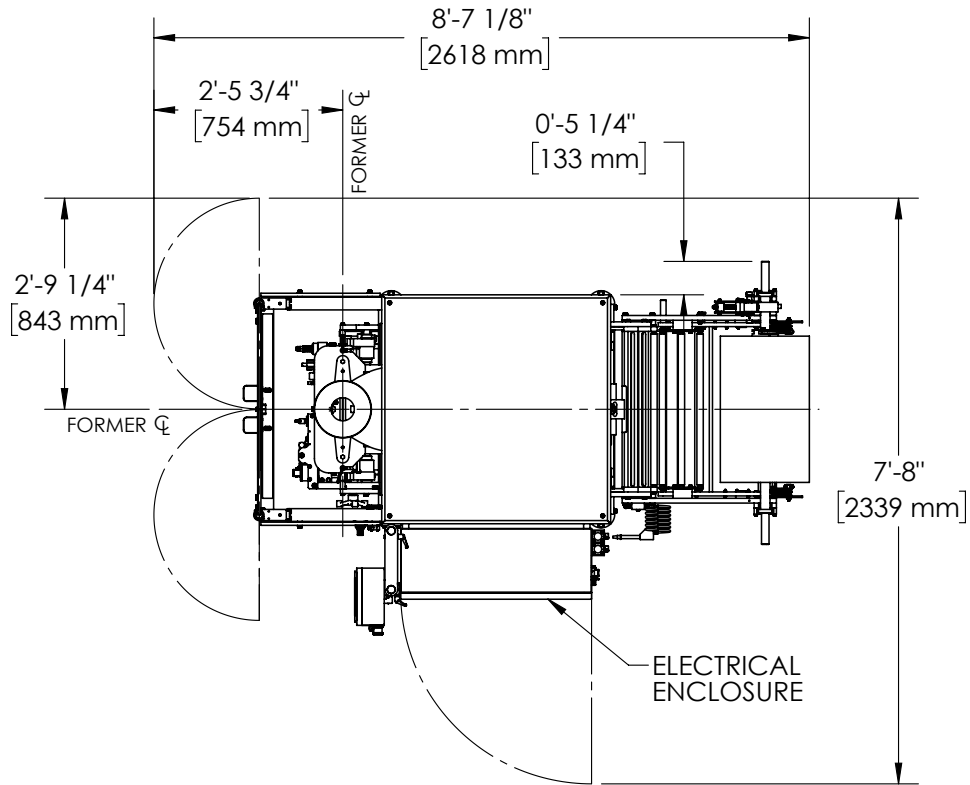
GUSSET BAG



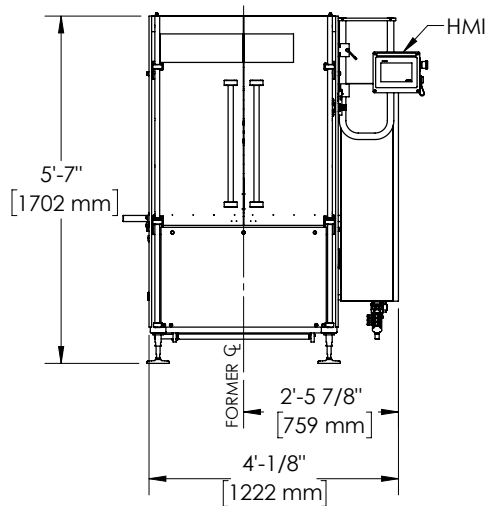
FLAT BOTTOM BAG

CONFIGURATION

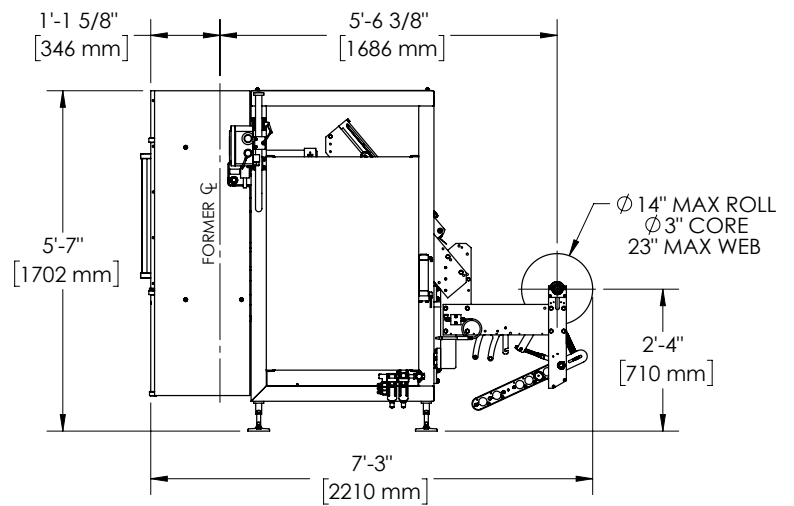
Top view



Front view



Side view



TYPICAL PRODUCT SPECIFICATIONS

Cycle Speed	Up to 140 BPM	
Electrical	Depending on application	
Air Pressure	230V (+/- 5%) 30 AMP	
Bag Sizes	Width	Length
Minimum	2" (51 mm) pillow	3" (76 mm)*

Bag Sizes	Width	Length
Maximum	11" (280 mm)	15" (381 mm)*
Film Roll (Std)	14" diameter	
Film	Laminate or poly film sealing capability	
Filler	Compatible with all types	

*Longer bags possible with multi-pull feature.



Matrix is an industry leading manufacturer of rugged, cost competitive, and easy-to-use vertical form fill seal (VFFS) equipment for all types of flexible packaging and operates as a master distributor of INV PACK stickpack and sachet machines, Toyo Jidoki pre-made pouch packaging machines, and FLtecnic rollstock pouch machines. With over 30 years of flexible packaging expertise, Matrix has the ability, knowledge, and commitment to tailor highly efficient and profitable packaging systems for our customers on a global scale. Matrix is a product brand of ProMach, a global leader in packaging line solutions. As part of the ProMach Flexibles business line, Matrix helps our packaging customers protect and grow the reputation and trust of their consumers. ProMach is performance, and the proof is in every package. Learn more about Matrix at www.MatrixPM.com and more about ProMach at www.ProMachBuilt.com.

650 N Dekora Woods Blvd.

E: Matrix@ProMachBuilt.com

Saukville, WI 53080

MatrixPM.com

P: 262-268-8300

TOLL FREE: 888-Matrix1